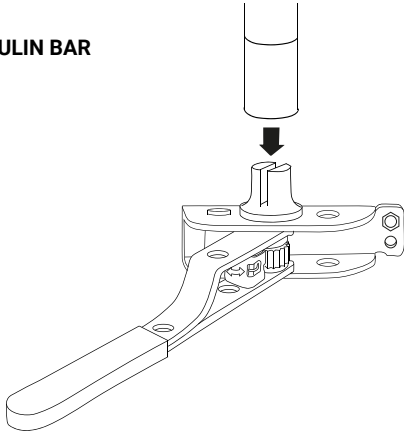
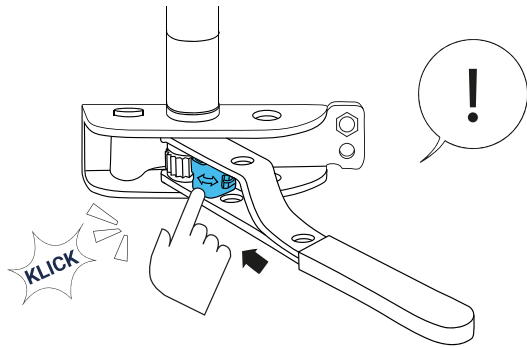


TENSION THE SIDE TARPAULIN

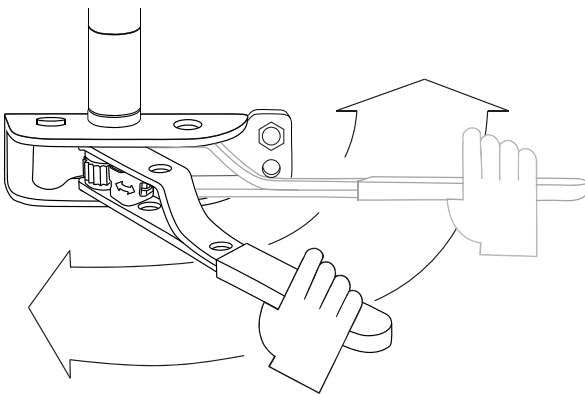
1 SET TARPAULIN BAR



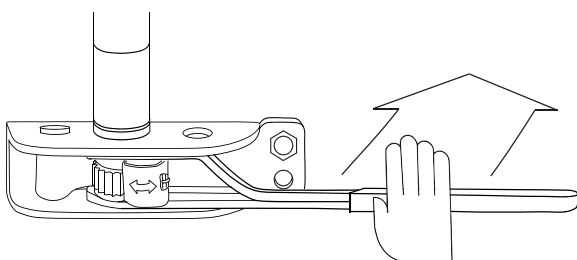
2 FLIP THE RATCH PANEL



3 TENSION

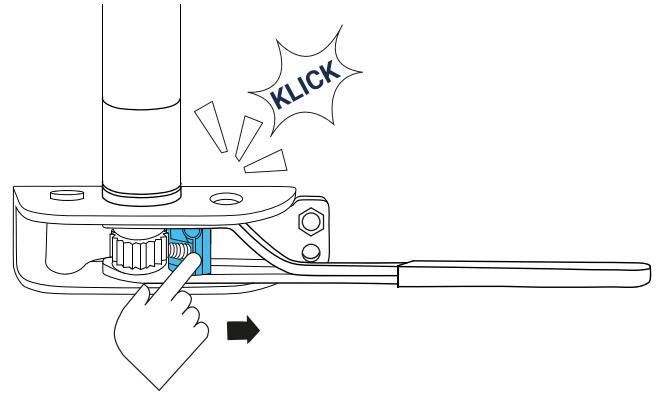


4 SECURED POSITION

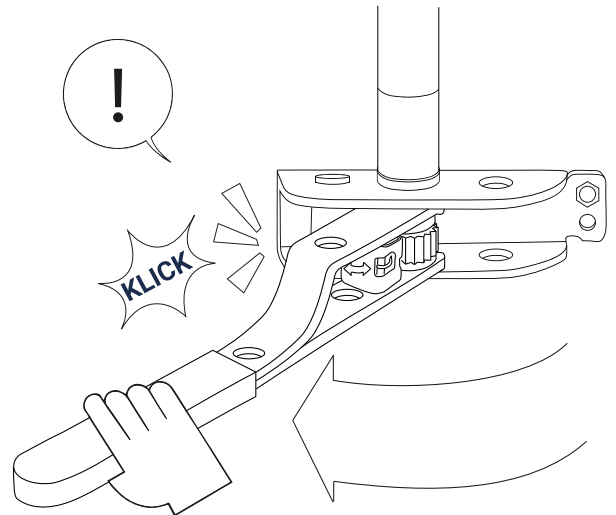


LOOSEN THE SIDE TARPAULIN

1 RELEASE RATCH PANEL



2 FLIP HANDLEVER AND UNLOCK



3 REMOVE TARPAULIN BAR

