

Operating instructions for the HESTAL pillar system

VarioMaster 900 + 901 + 904(double decker version) + *SlimMaster 905*

Contents

1. General notes	1
2. Regulations.....	1
3. Technical description of the system	1
4. Opening and closing the system	2
4.1 Opening	2
4.2 Lateral movement:	2
4.3 Closing:	2
5. Operation / adjustment of the plug-in attachment unit for the second driving position (only in combination with telescopic element)	3
6. Operation	3
7. Maintenance	3
8. Important instructions	3

1. General notes

The HESTAL CS pillar system VarioMaster 900, 901, 904 and SlimMaster 905 is intended for use as a removable support pillar between the vehicle frame and the roof profile in commercial vehicle bodies.

2. Regulations

The following regulations and directives need to be complied with:

DGUV regulation 1 "Accident Prevention Regulation - Principles of Prevention" (formerly BGV A1)

DGUV regulation 70 "Vehicles" (formerly BGV D 29)

DGUV principles "The testing of vehicles by drivers" (formerly BGG 915)

DGUV principles "The testing of vehicles by skilled technicians" (formerly BGG 916)

DGUV rules "Vehicle repair and maintenance" (formerly BGR 157)

StVZO (German Road Traffic Act)

VDI directive 2700 "Securing loads on road vehicles"

Body guidelines established by the vehicle manufacturer

3. Technical description of the system

The HESTAL VarioMaster as well as the SlimMaster are used as a center pillar on a vehicle body and allow a quick clearance of the loading area.

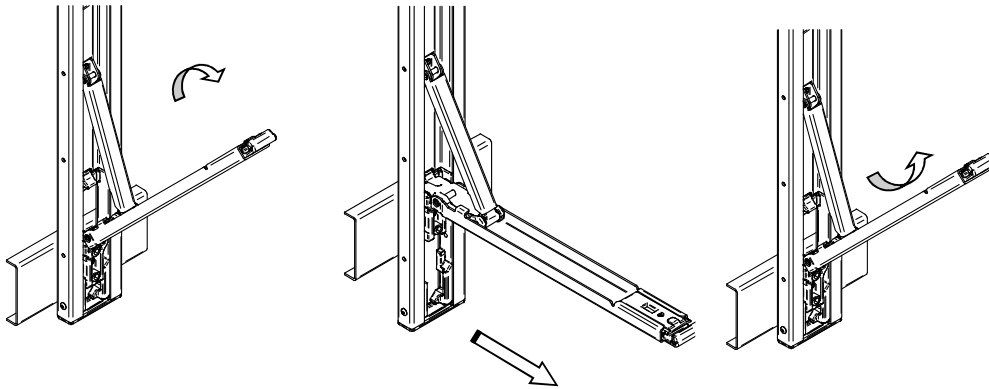
By means of a pillar bearing, the HESTAL pillar systems have a robust, secure and positive connection to the outer frame.

Due to the positive locking, which prevents the actuating lever from kinking and the positive connection to the pillar bearing on the vehicle frame, the HESTAL pillar systems are doubly secured when closed.

4. Opening and closing the system

4.1 Opening

- Before the pillars are opened, any existing load pressure must first be removed.
The lateral tarpaulin boards must be unhooked and removed
- Press the locking button down.
- Pull the hand level out of the pillar profile (no-load stroke)
- Grasp the hand lever and unlock the pillar from the pillar bearing (opening distance, 25 mm downwards)
- When opening it is to be noted that the roof load presses the hand lever down after the mechanism has passed top dead centre.
- Pull out the pillar and close the hand lever again.
When opening the pillar do not let it fall (rollers could be damaged).

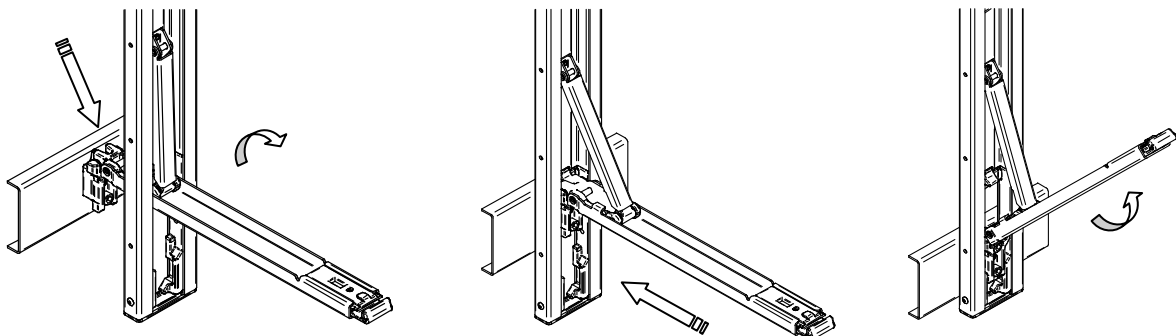


4.2 Lateral movement:

- The side tarpaulin boards must be unhooked and removed before the pillars can be moved.
A protruding load may obstruct the movement of the pillar.
- Swing the pillar slightly away from the vehicle frame and move it sideways.
- If the pillar is swung away from the vehicle frame further than necessary, this may lead to jamming of the trolley or the telescopic element with the roof edge profile.

4.3 Closing:

- Position the pillar system above the pillar bearing, press the locking button and open the hand lever.
- Place the hook contour of the hand lever through the pillar profile onto the pillar bearing, press the pillar against the vehicle frame profile and close the lever.
- Press the hand lever into the pillar until the lock automatically reengages.

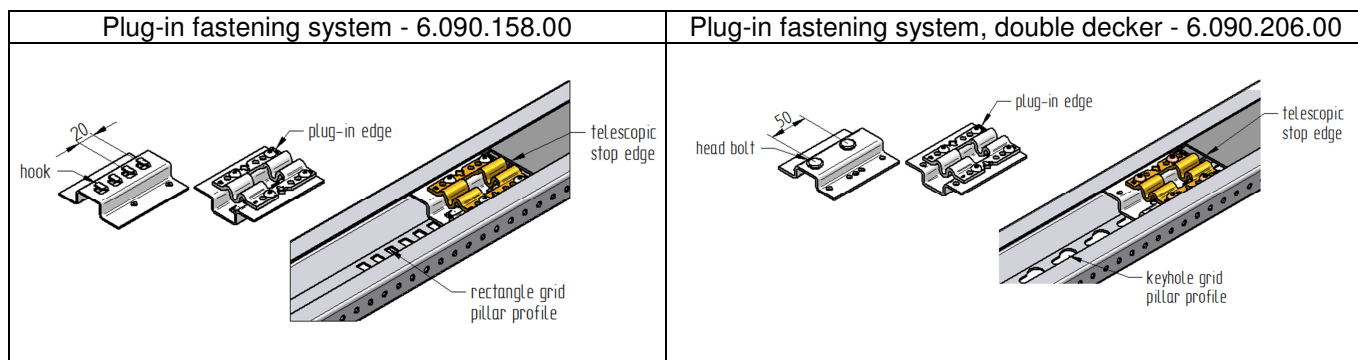


5. Operation / adjustment of the plug-in attachment unit for the second driving position (only in combination with telescopic element)

The plug-in unit for setting a 2nd driving position is installed within the pillar profile and can, depending on the plug-in fastener and pillar profile can be adjusted in increments of 20mm or 50mm.

The plug-in unit must **not** be **under load** when adjusted, meaning that the telescopic pillar is not in contact with the plug-in unit.

- Slide the plug-in fastener up and lift the hook contour out of the pillar profile. The height of the plug-in unit can now be adjusted.
- Hook the plug-in unit back into the pillar profile in its new position.
- The HESTAL pillar system has now been adjusted to a new overall length



When adjusting the overall length, the maximum permissible overall vehicle height of **4.0 metres** must not be exceeded. (See StVZO §32 section 2 [German Road Traffic Act])

6. Operation

- A check is to be carried out before every journey to ensure that the HESTAL pillar system is properly closed.
- The load is to be secured.
- When working in traffic, a suitable reflective waistcoat is to be worn.
- No part of the load is to protrude beyond the limit of the outside frame of the vehicle.
- The vehicle's roof must be cleared of any loads on it (snow and ice).

7. Maintenance

- The HESTAL pillar system must be serviced periodically, depending on the amount of use and the passage of time. (Cleaning, removal of foreign bodies, lubrication, adjustment, checking that all bolts and rivets are tight, replacing parts subject to wear)
- Any distorted tarpaulin pockets and stowage pockets are to be replaced with new ones by specialist technicians.
- Only **genuine HESTAL spares** must be used.
- Any defective or damaged components are to be replaced immediately with genuine HESTAL parts.

8. Important instructions

The HESTAL pillar system will only function perfectly if the installation and operating instructions are closely followed.

For reasons of operational safety, road safety and occupational health and safety, it is not permissible to combine any components other than the HESTAL components shown here.

When properly installed, these cutainsider pillars comply with the DGUV regulation 70 "Vehicles" (formerly BGV D 29)